

KVX – Extract Kitchen Canopy



The KVX is an extract only kitchen canopy that removes contaminated air from cooking equipment using low heat load applications.

- Integrated or surface mounted light fixture available (optional).
- If additional extract is required from the kitchen area, a general exhaust module (GE) can be built into the side panel of the canopy (optional).
- Exhaust damper located in the extract spigot(s).
- Stainless steel, welded construction (AISI 304).

QUICK DATA

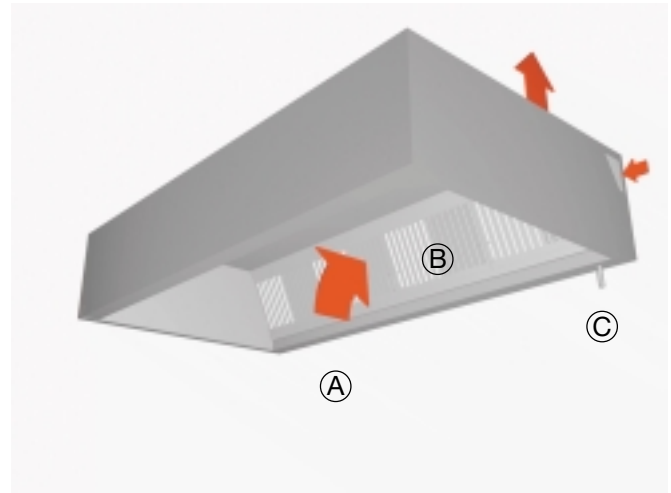
Design of the exhaust airflow is based upon the 'face velocity (V)' method of calculation. We generally use 0,2 m/s for light cooking load and 0,4 m/s for medium.

Light load: Steamers, kettles, ovens.

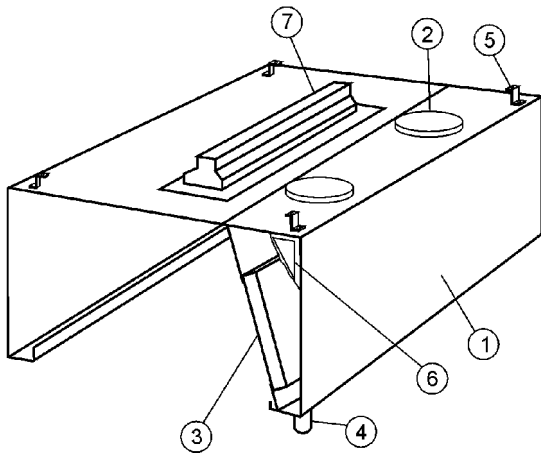
Medium load: Low heat fryers, ranges, multi-deck ovens, broilers.

FUNCTION

The K VX canopy should be positioned above the kitchen equipment to collect the rising warm airflow (A) and impurities within the casing. This contaminated air is removed from the canopy through the grease filters (B) into the exhaust air duct and then flow into a drain channel towards the collection tap/tray (C).



CONSTRUCTION



- 1 Outer casing in stainless steel AISI 304
- 2 Exhaust air connection with damper plate
- 3 Grease filters
- 4 Grease collection vessel or drain tap
- 5 Hanging brackets
- 6 General Exhaust (GE) and damper plate (optional)
- 7 Light fixture / Installation hatch (optional)

The outer casing (1) is in stainless steel AISI 304 polished, durable and easily kept clean, non-visible parts are in galvanized steel. The canopy comprises connections, damper.

The joints of the lower edges are of fully welded construction and polished to make them watertight. Grease and dirt extracted by the filters can be removed from the canopy by either a drain tap or by emptying the collection tray.

General exhaust and lights are optional.

DIMENSIONS

Length	1000...3000
Width	1000...1700 2000...3400 for Island model-Two sections 2000...2400 for Island model-One section
Height	555, 400

Contact your local Halton office or representative for special requirements.

ACCESSORIES - Refer to ACCESSORIES section

- General exhaust (GE)
- Cover Boards – where canopies are below ceiling level
- Infill Panels
- Grease filters (Stainless steel, MFA - mesh filter)
- Integrated light fixture - IP65 (high T°)
- Surface mounted light - IP65 (maxi. ambient T°: 35°C)
- Non-standard spigots sizes and position
- Canopy cut outs to fit around columns
- Exhaust roof in stainless steel

DIMENSIONS (mm)

KVX – 1- Wall Model

L	1000.....3000
B	1000.....1700
H	555, 400
D	315
C	220

Note: dimensions above are for modular section only; larger canopies are assembled using a combination of separate modules, which makes transportation and site handling easier.

Light

A	115
P	190
E	190
F	155(B=1000), 205(B=1100), 305(B=1300) 405(B=1500), 505(B=1700)
I	680 (L<1400, 2x18w), 1285 (L≥1400, 2x36w)

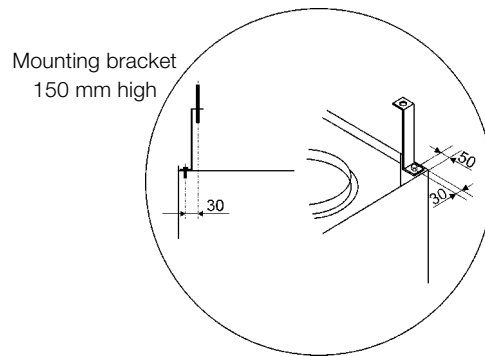
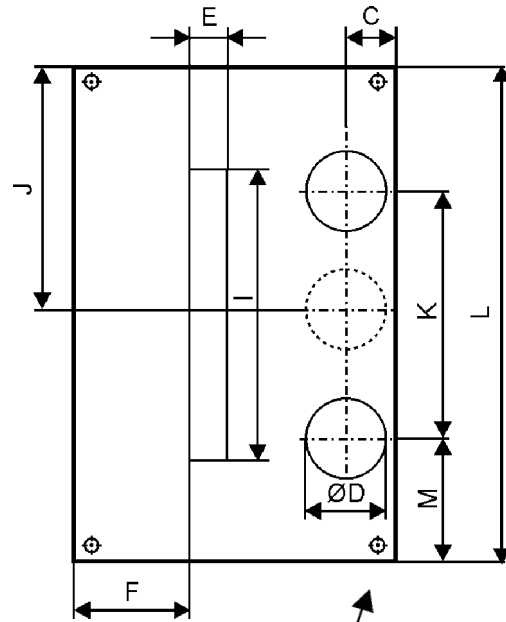
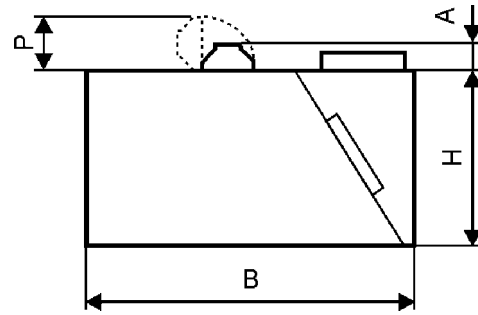
Location of Connections (mm)

For typical sizes

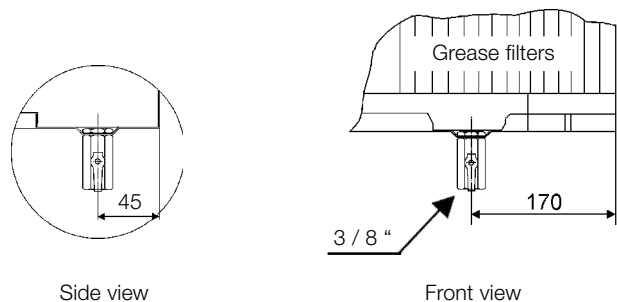
		Exhaust	
		2x315	1x315
L	M	K	J
1000	-	-	L/2
1500	375	750	L/2
2000	500	1000	L/2
2500	500	1500	L/2
3000	500	2000	L/2

Weights (Kg)

400 mm				
L/B	1100	1300	1500	1700
1500	47	53	59	65
2000	63	70	75	81
2500	75	80	87	92
3000	90	95	102	108
555 mm				
L/B	1100	1300	1500	1700
1500	53	59	63	67
2000	71	77	83	89
2500	85	91	97	103
3000	101	107	113	119



Position of Drain Tap, when fitted.



DIMENSIONS (mm)

KVX- 2

Island Model - Two sections

L	1000.....3000
B	2000.....3400
H	555, 400
D	315
G	220

Note: dimensions above are for modular section only; larger canopies are assembled using a combination of separate modules, which makes transportation and site handling easier.

Light

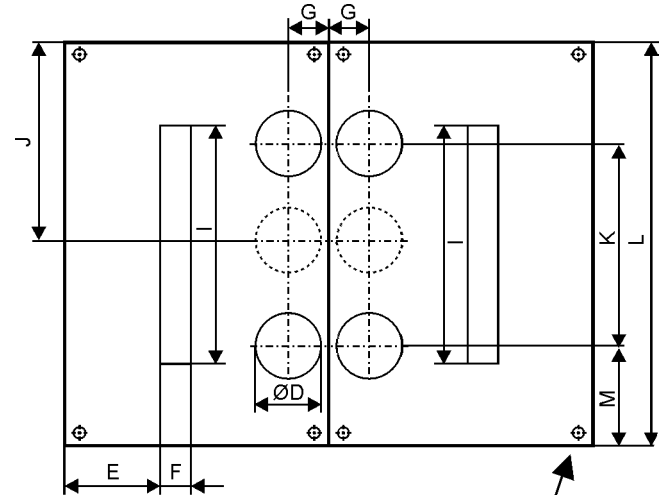
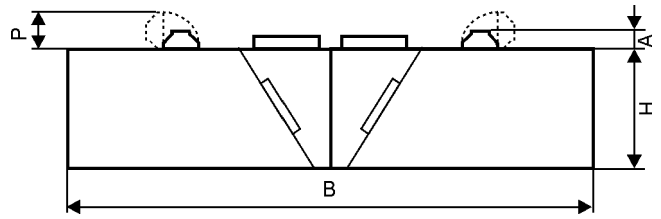
A	115	
P	190	
E	190	
F	H=555	155(B=2000), 205(B=2200), 305(B=2600) 405(B=3000), 505(B=3400)
	H=400	130(B=2000), 180(B=2200), 280(B=2600) 380(B=3000), 480(B=3400)
I	680 (L<1400, 2x18w), 1285 (L≥1400, 2x36w)	

Location of Connections (mm)

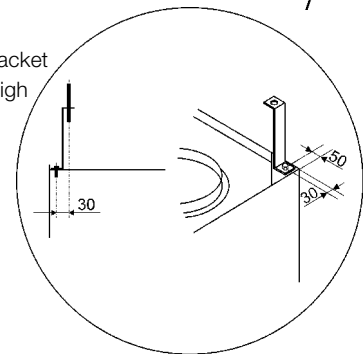
		Exhaust	
		2x (2x315)	2x (1x315)
L	M	K	J
1000	-	-	L/2
1500	375	750	L/2
2000	500	1000	L/2
2500	500	1500	L/2
3000	500	2000	L/2

Weights (Kg)

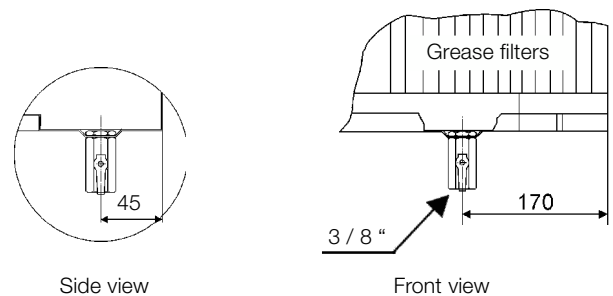
400 mm				
L/B	2200	2600	3000	3400
1500	94	106	118	130
2000	126	140	150	162
2500	150	160	174	184
3000	180	190	204	216
555 mm				
L/B	2200	2600	3000	3400
1500	106	118	126	134
2000	142	154	166	178
2500	170	182	194	206
3000	202	214	226	238



Mounting bracket
150 mm high



Position of Drain Tap, when fitted.



DIMENSIONS (mm)

KVX- M

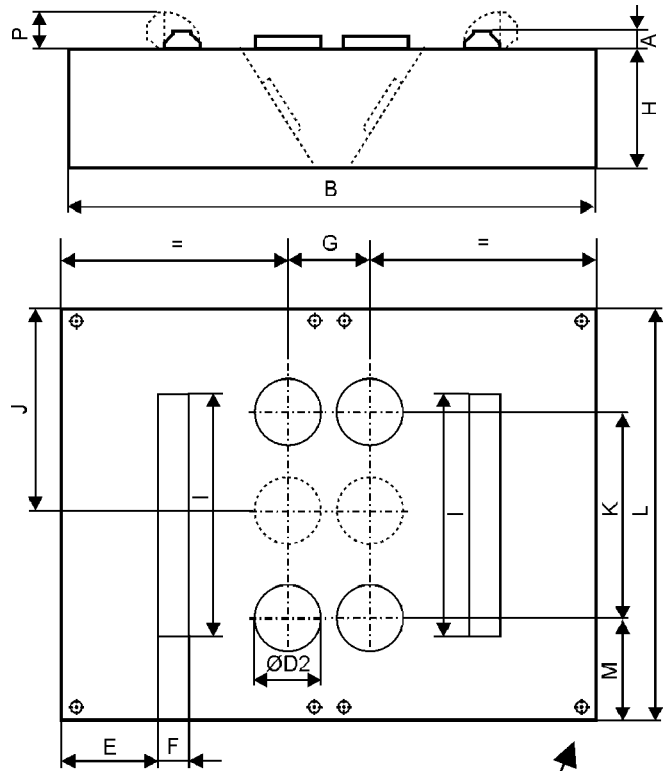
Island Model – One Section

L	1000.....2500
B	1600.....2400
H	555, 400
D	315
G	440

Note: dimensions above are for modular section only; larger canopies are assembled using a combination of separate modules, which makes transportation and site handling easier.

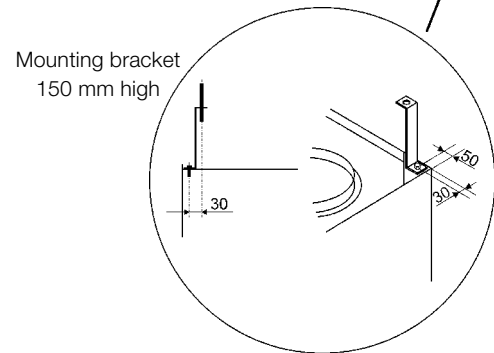
Light

A	115	
P	190	
F	190	
E	H=555	55(B=1600), 105(B=1800), 155(B=2000) 205(B=2200), 255(B=2400)
	H=400	30(B=1600), 80(B=1800), 130(B=2000) 180(B=2200), 230(B=2400)
I	680 (L<1400, 2x18w), 1285 (L≥1400, 2x36w)	



Location of Connections (mm)

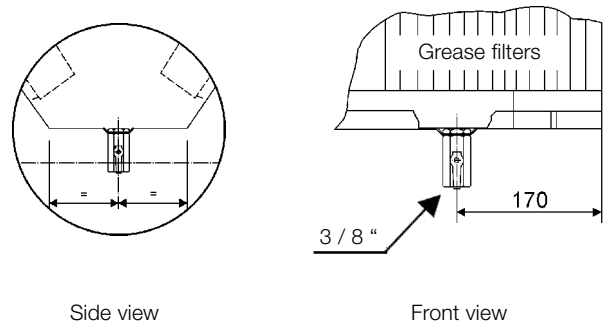
		Exhaust	
		2x (2x315)	2x (1x315)
L	M	K	J
1500	375	750	L/2
2000	500	1000	L/2
2500	500	1500	L/2



Weights (Kg)

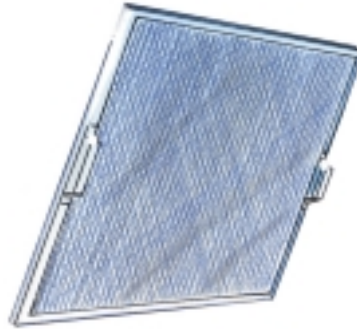
400 mm					
L/B	1600	1800	2000	2200	2400
1500	64	70	76	82	88
2000	96	102	108	114	120
2500	120	126	132	138	144
555 mm					
L/B	1600	1800	2000	2200	2400
1500	76	82	88	94	100
2000	112	118	124	130	136
2500	140	146	152	158	164

Position of Drain Tap, when fitted.

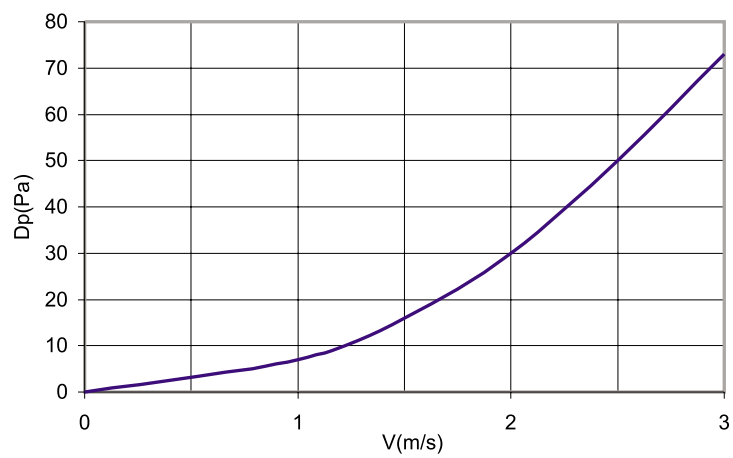


PRESSURE DROP OF FILTER, EXHAUST

KVX / HF = MFA



PRESSURE LOSS - FILTER CLEAN



KVX / HF= 500 (High volume filter S/steel) -

Refer to 'KVF or KVI SECTION'; H= 555/400, HF=500 (High volume filter)

SPECIFICATION

General: The manufacture of all Halton kitchen canopies is to be controlled by an ISO9000 registered quality system, constructed from stainless steel to material specification AISI 304.

The kitchen canopies shall be supplied complete with outer casing/main body, pressure measurement taps, extract air spigot connections with damper plates, installation hatch, fluorescent light fixture, grease filters, perimeter drain channel, drain tap or collection tray and hanging brackets.

Grease Filters: The grease filters shall be supplied in modular size 500 x 500 and shall be removable via two folding handles

Spigot Connections: The spigot connections for extract air shall be constructed from galvanized steel and shall be supplied with a sealing gasket and airflow balancing damper plate manufactured from galvanized steel.

The exhaust damper shall be adjustable and access to it is via the removal of the KSA grease filters.

Fluorescent Light Fixture (Optional Extra): Each canopy can be provided with fluorescent light fixture to provide approximately 500 lux at the cooking appliances work surface. The light fixture shall be suitable for single-phase 230v supply and shall be constructed to protection standard IP65. Ballast and capacitor shall be located within the light fixture housing. The light fittings shall be hinged to allow access to canopy roof. 3x1mm², core electrical cable connecting the light fitting to the conduit box containing multiple connectors shall be provided.

Access Hatch (If light fixture fitted): Each canopy shall be provided with an access hatch of stainless steel AISI 304 with plain mill finish, surrounded by a tempered glass light diffuser. Heat tolerance of glass shall be -40 to +300°C. The hatch shall be hinged and held in position with screws.

PRODUCT CODE

KVX / S - L xB xH

Height of canopy - 400, 555
 Width of canopy - 1000 to 1700 in any increments
 Length of canopy - 1000 to 3000 in any increments
 Location 1 = Wall installation
 2 = Island installation (2sections)
 M = Island installation (1section)

Specifics and accessories
 NF=, HF=, EC=, CD=, GE=, AC=

Accessories CL/KVX = Cover strip for top of canopy
 SL/KVX = surface mounted light
 IL /KVX = integrated light
 CB/KVX = Cover board
 IP /KVX = Infill panel

General Exhaust L = Left
 R = Right
 2 = Left and Right
 L2 = Left (2 pc)
 R2 = Right (2 pc)
 L3 = Left (2 pc) Right (1 pc)
 R3 = Left (1 pc) Right (2 pc)
 4 = Left (2 pc) Right (2 pc)

Canopy Drain D = Drain tap
 C = Collection tray

Number of exhaust connections - 1, 2, 3

Filter Height HF = 330
 500 (High volume filter)
 MFA500 (Mesh filter type)

Number of filters NF = 1, 2, 3, 4, 5, 6, 7, 8, 9, 10, 11, 12

EXAMPLE
 KVX/1 - 1500x1100x400; EC=1; GE=L KVX/1 - 1500x1100x400; AC=IP; HF=500

INSTALLATION

Refer to 'Installation - Commissioning- Maintenance' manual



