

# KSK -Grease Filter Unit



The KSK is an extract filter unit mainly utilized for light duty cooking, steamers, kettles and low heat applications.

- High efficiency grease filtration using Halton's KSA 'multi-cyclone' filters – providing up to 95% removal of particles at a size of 8 microns or above – \*UL and \*\*NSF classified.
- Exhaust airflow measurement and control using the in built exhaust damper located in the extract spigot(s) and the T.A.B.™ testing and balancing tap.
- Stainless steel, welded construction (AISI 304).

## QUICK DATA

KSK/1

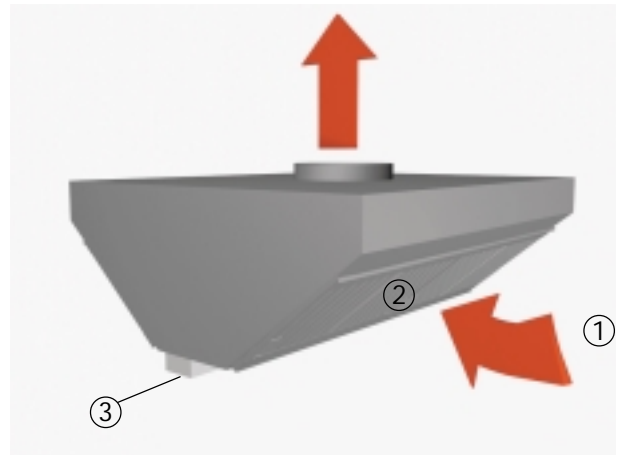
L	Recommended Exhaust air volumes	
	l/s	m <sup>3</sup> /h
500	86...160	309...580
1000	170...320	612...1150
1500	260...480	936...1728

Exhaust air volumes indicated above are for a recommended pressure loss of KSA filter between 35...120Pa, LpA < 56 dB(A)

\* UL = Underwriters Laboratories (UL is an independent organization founded by the insurance industry in the U.S.A, giving approvals to safety tested products).  
\*\* NSF = National Sanitation Foundation (promoting hygiene and sanitation in the U.S.A)

## FUNCTION

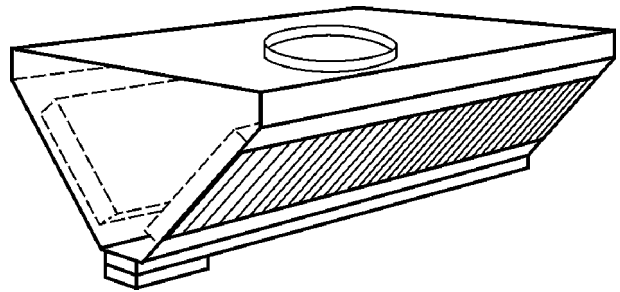
The KSK filter unit should be positioned above the equipment to collect the rising warm airflow (1) and impurities within the casing. This contaminated air is removed from the unit through the KSA grease filters (2) into the exhaust air duct. Within the grease filter, grease and contaminants are separated from the exhaust air by the cyclone separation principle and then flow into a drain channel towards the collection tap/tray (3).



## CONSTRUCTION

The outer casing is in stainless steel AISI 304 polished, durable and easily kept clean, non-visible parts are in galvanized steel. The unit comprises connections, damper plates and measurement tap.

The joints of the lower edges are of fully welded construction and polished to make them watertight. Grease and dirt removed by the filters can be removed from the canopy by either a drain tap or by emptying the collection tray.



## DIMENSIONS

Length	500, 1000, 1500
Width	425 for wall model 825 for Island model
Height	356

Contact your local Halton office or representative for special requirements.

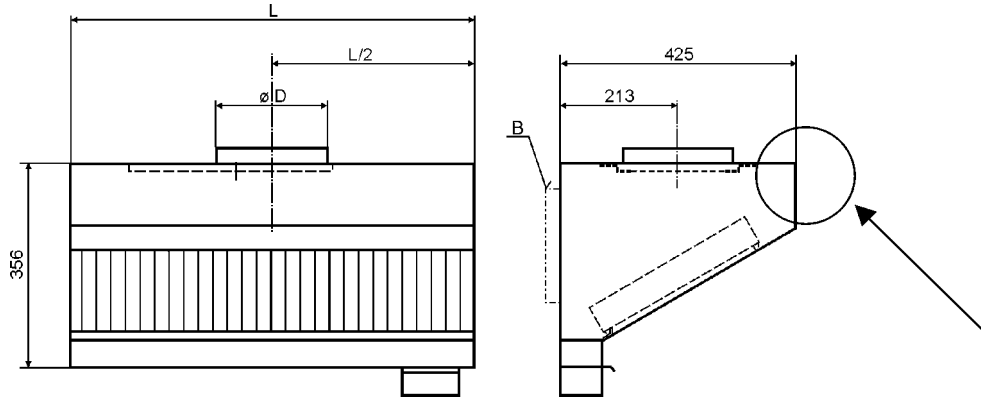
## ACCESSORIES - Refer to ACCESSORIES section

- Infill Panels
- KSA grease filters
- Blind Filter in stainless steel
- Non-standard spigots sizes and position
- Exhaust roof in stainless steel

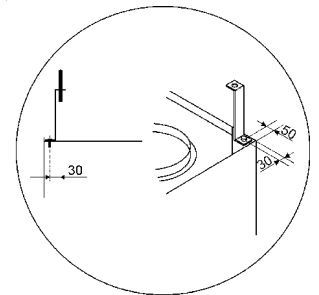
# DIMENSIONS (mm)

## KSK/1- Wall model

Model	Filter pcs	L	Ø D
KSK/1-1	1	500	250
KSK/1-2	2	1000	315
KSK/1-3	3	1500	315

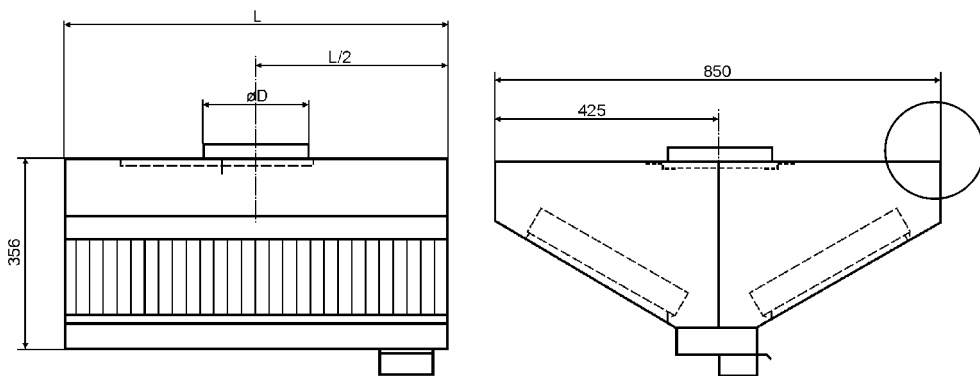


Mounting bracket  
150 mm high



## KSK/2 – Island model

Model	Filter pcs	L	Ø D
KSK/2-2	2	500	315
KSK/2-4	4	1000	400
KSK/2-6	6	1500	500



## Weigths (Kg)

### KSK/1

500	11
1000	18
1500	26

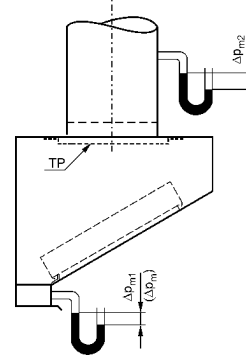
### KSK/2

500	17
1000	29
1500	42

# PRESSURE DROP AND SOUND DATA , EXHAUST

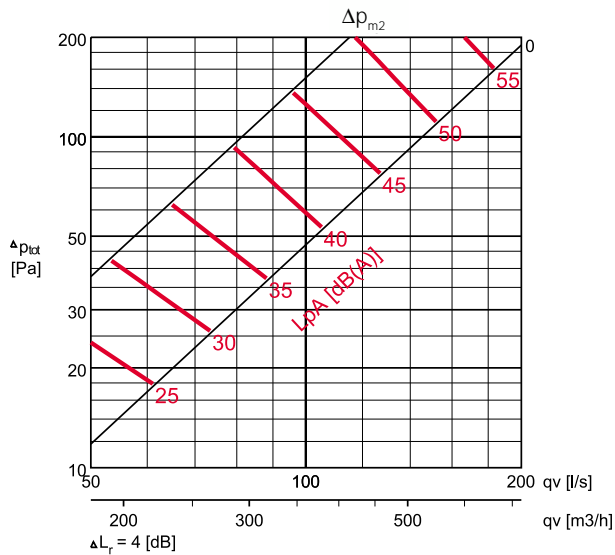
KSK/1

- $\Delta p_{m1}$  = Pressure loss of filters measured from measuring tap, minimum exhaust pressure loss when the damper plate is open
- $\Delta p_{m2}$  = Maximum exhaust pressure loss when the damper plate is nearly closed.
- TP = Damper plate
- 0,1. = Numbers of blind filter

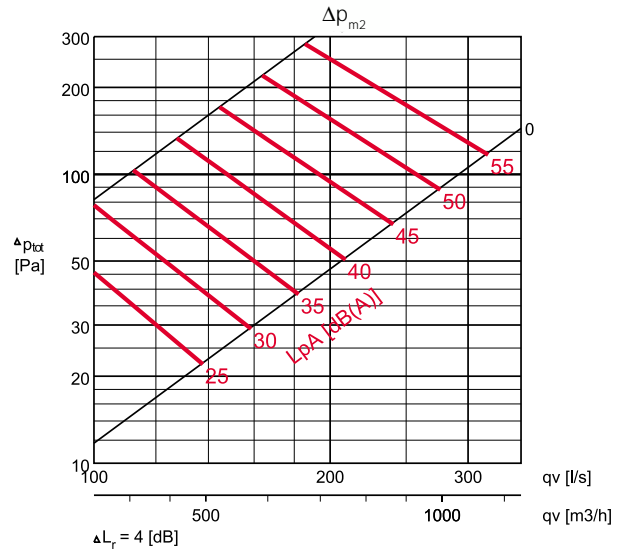


Recommended pressure loss of filter  
 $\Delta p_{m1}$  35 – 120 Pa

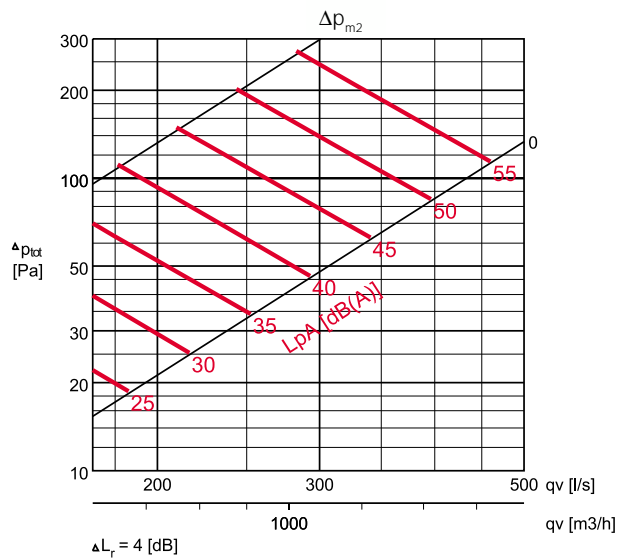
## KSK 500



## KSK 1000



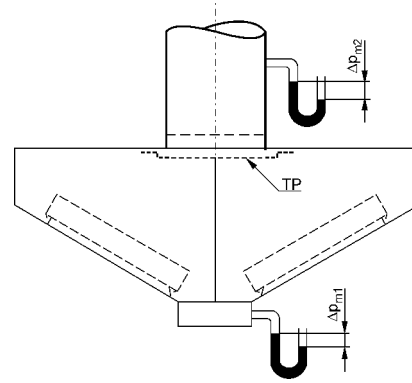
## KSK 1500



# PRESSURE DROP AND SOUND DATA , EXHAUST

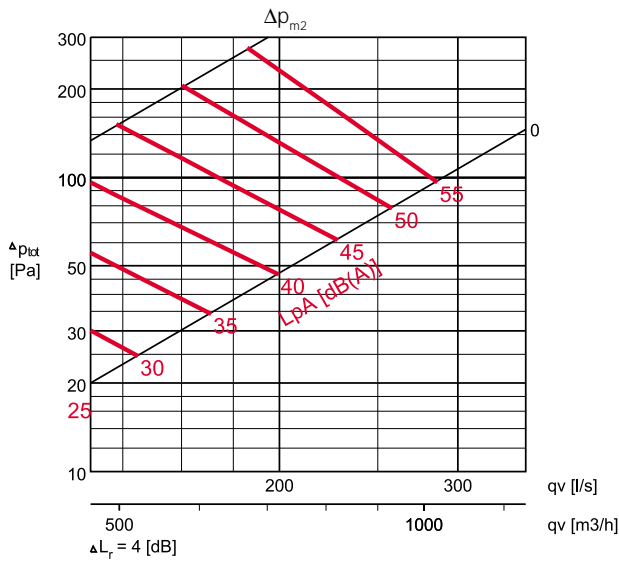
KSK/2

- $\Delta p_{m1}$  = Pressure loss of filters measured from measuring tap, minimum exhaust pressure loss when the damper plate is open
- $\Delta p_{m2}$  = Maximum exhaust pressure loss when the damper plate is nearly closed.
- TP = Damper plate
- 0,1. = Numbers of blind filter

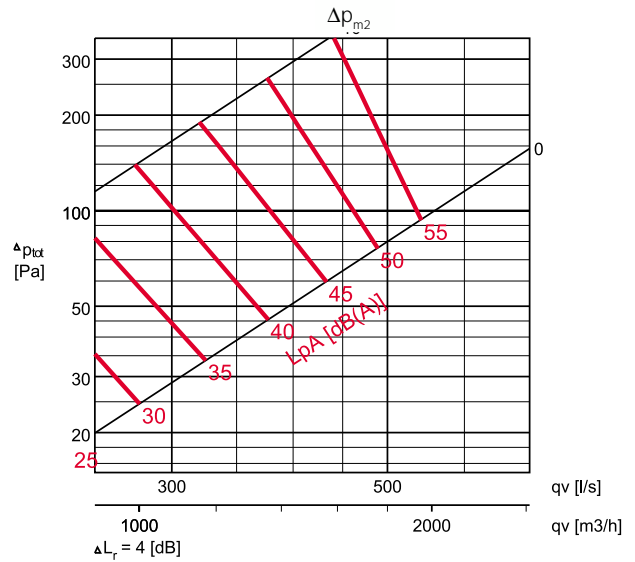


Recommended pressure loss of filter  
 $\Delta p_{m1}$  35 – 120 Pa

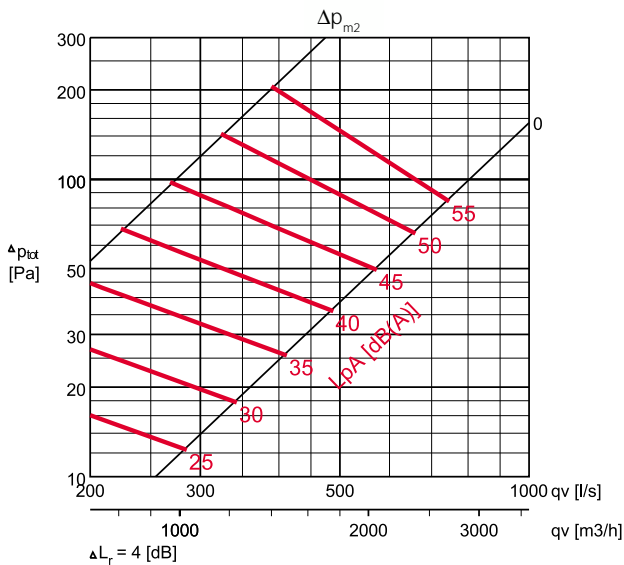
## KSK 500



## KSK 1000



## KSK 1500



# SPECIFICATION

General: The manufacture of all Halton kitchen canopies is to be controlled by an ISO9000 registered quality system, constructed from stainless steel to material specification AISI 304.

The kitchen canopies shall be supplied complete with outer casing/main body, pressure measurement taps, supply and extract air spigot connections with damper plates, grease filters, drain tap or collection tray and hanging brackets.

Pressure Measurement Taps: The pressure measurement taps shall be located on the inside of the canopy.

Grease Filters: The grease filters shall be supplied in modular size 500 x 330 x 50mm and shall be removable via two folding handles.

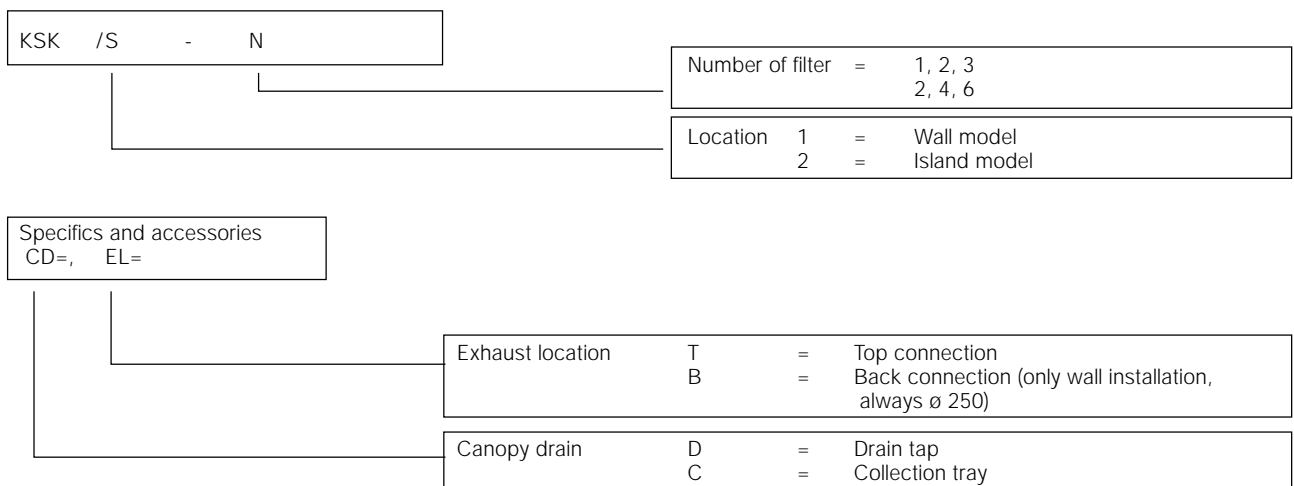
The grease filters shall be constructed from stainless steel to AISI 304 and shall be NSF and UL classified. High grease filter efficiency is achieved by a unique form (Halton patented) of honeycomb filter, which causes a spiraling of the airflow inside the honeycomb.

Spigot Connections: The spigot connections for extract air shall be constructed from galvanized steel and shall be supplied with a sealing gasket and airflow balancing damper plate manufactured from galvanized steel.

The exhaust damper shall be adjustable and access to it is via the removal of the KSA grease filters.

The plenum roof panel shall be constructed of galvanized steel.

# PRODUCT CODE



EXAMPLE  
KSK/1 - 2; EL=T

# INSTALLATION

Refer to 'Installation - Commissioning- Maintenance' manual

